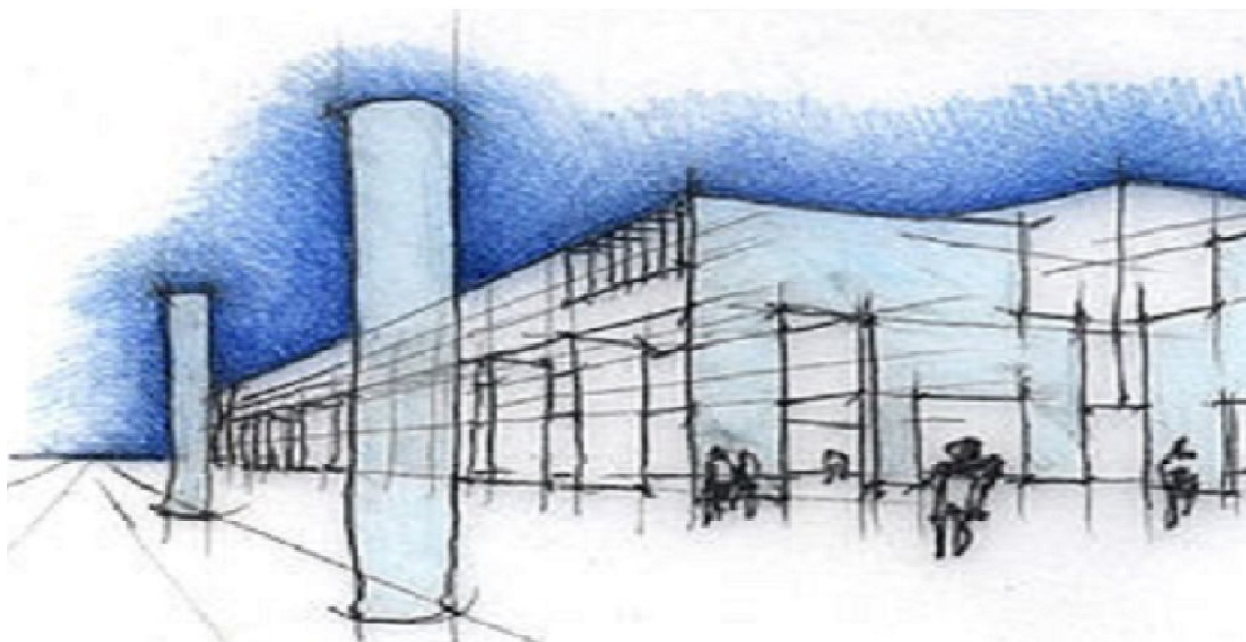


Conventional Gas Sensor SG580

V. RO



The **SG580** is born from the elegance and prestige that has always distinguished **BEINAT S.r.l.** and from the home fitness concept.

The probe is a Catalytic gas detection unit with **IP66** protection (**NO ATEX**) that, together with one of BE INAT's industrial type Control Units, detects the presence of **esplosive gas** such as Methane, LPG, Hydrogen, and other types of gas.

The probe is managed by a microprocessor which not only supplies an alarm signal to the control unit connected to it, but also allows execution of a self-diagnosis and therefore an **AUTOMATIC CALIBRATION**, in order to always have the maximum detection accuracy.

The self-calibration means the probe adapts in harsh and variable temperature environments, avoiding false alarms due to anomalous events.

The probe has a **0 ÷ 20 % LEL** linear output conforming to the **4 ÷ 20mA** standard, for which can be connected with one of BEINAT's industrial control units.

The **important innovation** of this probe is:

The possibility to substitute the sensor at the end of the operating cycle or fault by the technician without having to send to **BEINAT Srl.**

Indispensable instrument for the annual check of the probes

Instrument of testing TS1008

To facilitate the reading of the functional parameters of the probe as well as the control of annual operating, the **BEINAT S.r.l.** has built a new portable tester **TS1008**.

The tester allows to read all the data in the memory of the probes eand by serial transmission, it prints the ticket that confirms the testing data.



Important: Assembly / maintenance of the appliance must be carried out by qualified personnel and in accordance with applicable laws and regulations.

The manufacturer assumes no responsibility for the use of products that have to comply with particular environmental and / or installation standards.



Important note

Before connecting the equipment, it is recommended that you read the instruction manual carefully and keep it for future reference. It is also recommended to perform the electrical connections correctly as per enclosed drawings, observing the instructions and the Standards.

N.B. Refer to the documentation in all cases where the symbol is on the side



**Installation and user
guide**

CONFORMITY

**EN 50270
Compliant EN 60079-29-1**

Reports issued by TUV Italia

Precautions

CHECK the integrity of the unit after having removed it from the box.
 Check that the data written on the box correspond to the type of gas used.
 When doing the electrical connections, follow the drawing closely.
 Any use of the detector for purposes other than the intended one is considered improper, and as a result of which **BEINAT S.r.l.** therefore disclaims any responsibility for possible damages caused to people, animals or objects.



TERMS and EXPECTATIONS: The installation of the **SG580** Sensor, its ordinary and extraordinary maintenance, every six months, and its out of service removal at the end of the functional life guaranteed by the manufacturer, must be carried out by **authorized or specialized personnel**.

Do not allow it to become wet.

The control unit can be seriously damaged as it is not waterproof either when immersed in water or exposed to high levels of humidity.

Do not drop it.

Heavy knocks or falls during transportation or installation can damage the appliance.

Avoid abrupt temperature fluctuations.

Sudden temperature variations can cause condensation and the control unit could work poorly.

Cleaning

Never clean the device with chemical products. If necessary, wash with a moist cloth.

Technical Specifications

Power Supply **12÷24VDC** \pm 10%
 Power demand 90 mA in operating, 110 mA in alarm Max @ 13,8 V
 Notifications green light normal operation, yellow light fault, red light alarm
 Slot expansion board relay; CARD-03 Fault , Prealarm, Allarm. Relay contacts 1A 30 VDC **SELV**

Sensor Catalytic
 Sensitive element working range To 100% of LEL
 Analog output signal 4÷20 mA standard tolerance
 Selection of the operating Range from 20% of LEL to 100% of LEL
 Detector accuracy 1% FS
 Long term shift in clean air < 3% of LEL
 Auto zero procedure Included in the software algorithms
 Response Time <10"
 Warm-up time 1,30 minutes

Functioning humidity 0-90% non condensed
 Functioning temperature -10°C to +50°C
 Control units usable BX444-Mc, BX449F, GS100M, BX180, BX280, BX150, GS300-Mc, BX316xp, BX308xp
 Max. distance between probe and unit 100 m
 Cable diameter for connecting probe 1 mm
 Connection: **The cable of connection of the probe must not be installed together with the power cables. Otherwise, make sure to use a shielded cable**
 Probe's body material Aluminium
 External degree of protection Antideflagrate **IP66**
 Size 100 mm

Technical Features SG580

Code	Type of Gas	Sensor	Working range	Temperature
SGM595/Amet	Methane	Catalytic	LEL 0-100%	-10+50°C
SGM595/Agpl	LPG	Catalytic	LEL 0-100%	-10+50°C
SGM595/Aidr	Hydrogen	Catalytic	LEL 0-100%	-10+50°C
SGM595/Aamm	Ammonia explosiv	Catalytic	LEL 0-100%	-10+50°C
SGM595/Aace	Acetylene	Catalytic	LEL 0-100%	-10+50°C
SGM595/Avbe	Gasoline vapours	Catalytic	LEL 0-100%	-10+50°C
SGM595/Aalc	Alcohol	Catalytic	LEL 0-100%	-10+50°C

WARNING!

The CATALITIC sensor has a life span of 5 to 6 years in clean air.
 The working temperature of the probe recommended is from -10 ° C to + 50 ° C.
 Every puffy snapshot of gas over 100% of L.I.E. Takes months off the sensor.
 Each immediate puff of gas that exceeds 100% of L.E.L. takes away months of life from the sensor.
 The detector must be tested by simulating the presence of gas by issuing it from a pre-calibrated testing aerosol.

Important:

The test of operation and eventually offset cancellation must be performed at least **once a year**, by a qualified technician.

Compatible control units

CONTROL UNITS	MOUNTING	PROBES Max.	DEGREE protec.	PRE alarms	ALARMS	POSITIVE safety	OPERATING range
GS100M unit 1 zone	Wall/cabinet	1	IP44	2	1	YES	NO
GS300-Mc unit 1 zone	Wall/cabinet	3	IP44	2	1	YES	NO
BX444-MC unit 1 zone	Wall/cabinet	4	IP44	2	1	YES	NO
BX150 unit 1 zone	Panel	1	IP42	1	1	YES	NO
BX180 unit 1 zone	Omega bar DIN	1	IP20	1	1	YES	NO
BX280 unit 1 zone	Omega bar DIN	2	IP20	1	1	YES	NO
BX449F unit 1 zone	Omega bar DIN	4	IP20	1	1	YES	NO
BX308 unit 1 zone	Omega bar DIN	8	IP20	1	1	YES	YES
BX308/Box unit 1 zone	Wall	8	IP65	1	1	YES	YES
BX316 unit 2 zones	Barra Omega	16	IP20	1	2	YES	YES
BX316/Box unit 2 zones	Wall	16	IP65	1	2	YES	YES
TAKITJ8 * Data Collector	Wall	8	IP65	-	-	-	-

MAINTENANCE

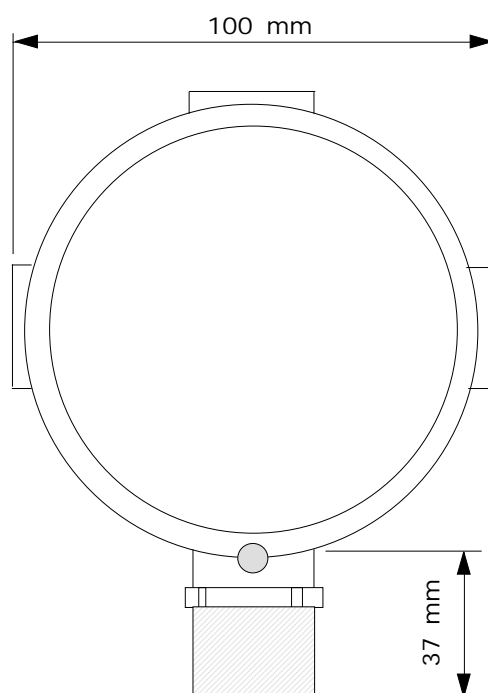


The user periodically (every 6 months) must perform a check of the operation of the control unit by spraying a suitable test gas at the base of the probes connected until the alarm condition is reached.

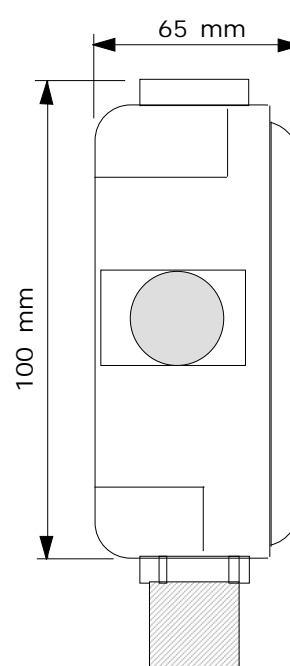
- At least once a year make a more accurate check by a specialist technician.
- Disabling the detector must be carried out by qualified personnel.



Front view



Side view



The installation of the detector does not exempt from the compliance with all regulations concerning the characteristics, installation and use of gas appliances. The ventilation of the spaces and the elimination of combustion products are described in the UNI norms according to ART. 3 LAW 1083 / 71 and relevant legal provisions.

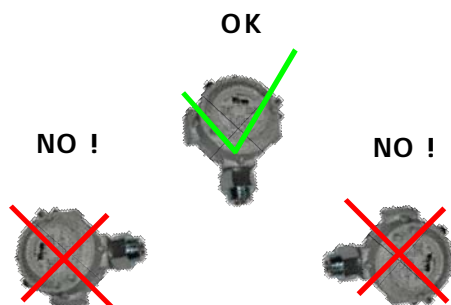
Positioning of the Sensor

The position of the probe is a crucial factor for a gas detection unit correct functioning. In order to obtain the maximum results from an appliance and minimize the probabilities of false alarms, we recommend to follow this diagram and to keep in mind the following general rules.

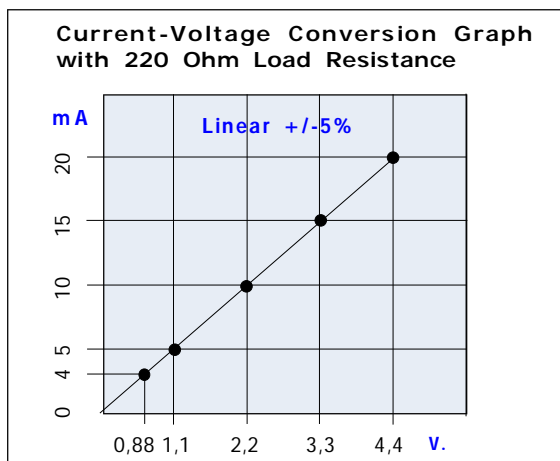
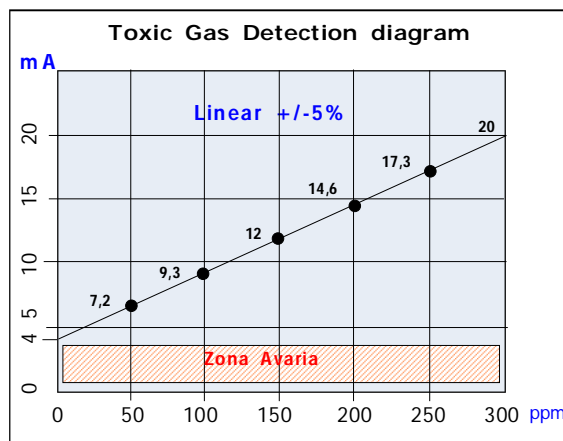
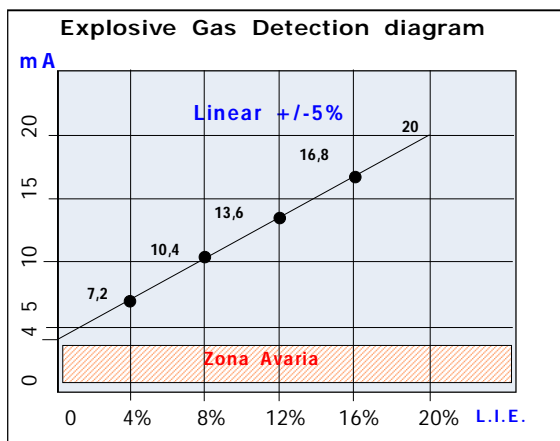
The remote probe must be located at different heights, according to the type of gas.

These heights are:

- **30 cm** from the lowest point of the floor in order to detect **Heavy Gases** : **LPG**, Gasoline vapours, Alcohol.
- **30 cm** from the highest point of the ceiling in order to detect **Light gases**: **Methane, Hydrogen**, Ammonia, Acetylene.
- The probe should not be placed near the appliances to be controlled (boilers, burners, industrial kitchens, etc.) but on the opposite wall.
- The probe should not be affected by smoke, vapour, etc. as they could distort their measurement. It must be placed away from sources of heat, suction fans, ventilation fans.



Detection diagrams data



Electrical connections

Electrical cabling

Please read the paragraph: "Particular Specifications for Use in Explosive Atmospheres"

NOTE:

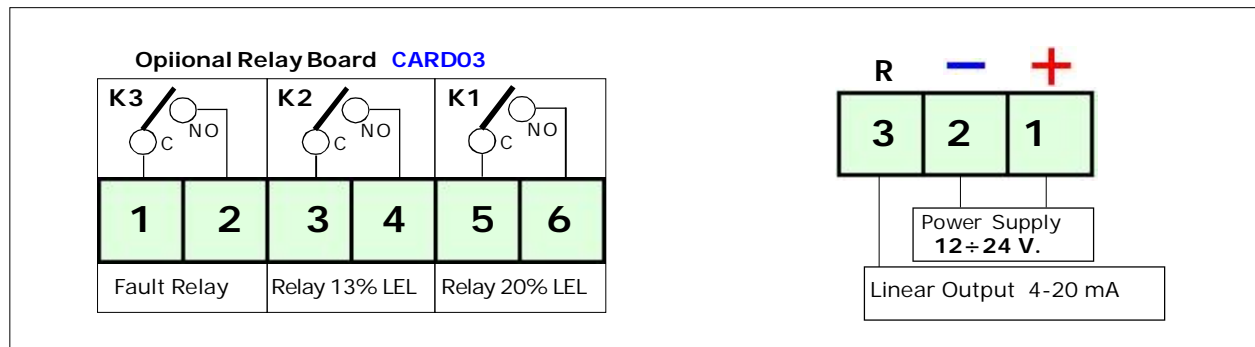
Please remind that if you **pierce the FLAMEPROOF container**, it will completely lose its properties. Moreover, you should install a **FLAMEPROOF cable-gland** for the connection cables



FUNCTIONING OF LED

The integrated LED on the sonde has a threefold function:

- 1) Green LED. Normal operation; In waiting phase, the LED flashes.
- 2) Red LED. State of alarm; The frequency of light changes according to the percentage of gas monitored.
- 3) Led yellow. The probe detects an anomaly, FAULT



OPTIONAL CARD03 BOARD INSERTION

Before inserting the Open Collector **CARD03** board, switch off the power to the probe.

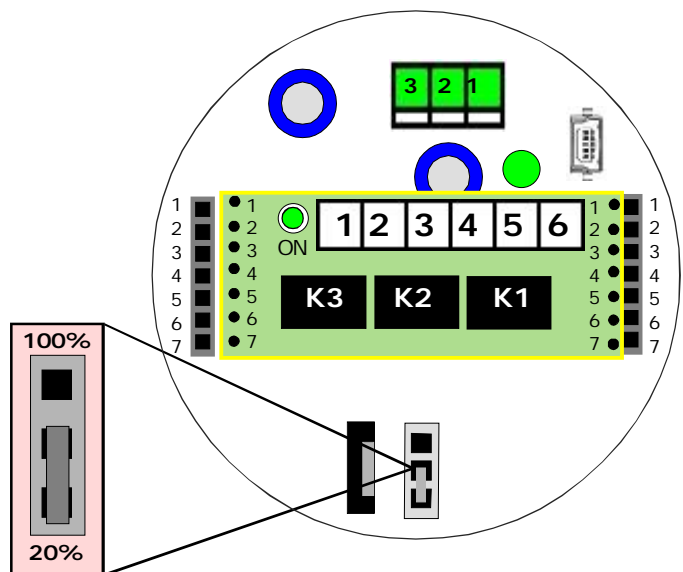
Insert the board according to the drawing keeping the terminal block on the left.

All relays are voltage free.
Contact capacity **1A SELV**

SELECTION OF THE OPERATING RANGE

The conventional probes leave the factory with the operating range is selected to 20% of the LEL

To select the operating range to 100% LEL you need to move the jumper between the central and the top pole.



Warning !!

Before to do this, it may want to check the operation range of the control unit.

Maintenance problems and solutions before calling a technician



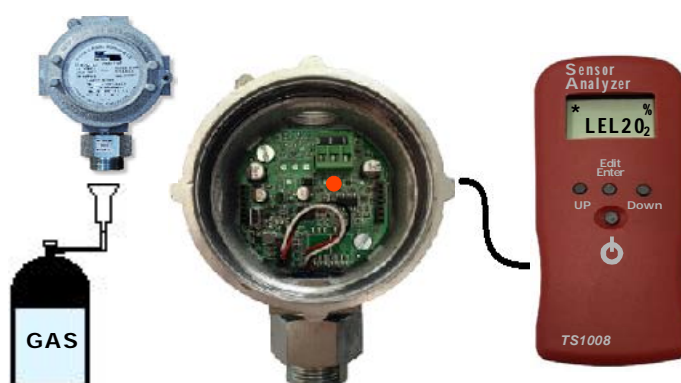
The general test, and ordinary or extraordinary maintenance must be performed every six months by emitting gas from a pre-calibrated bottle within the percentages indicated on the plate of the probe.

To perform a good test, connect the Tester TS1008 to the appropriate USB socket, and emit the gas from the gas test bottle.

Without gas it reads 0% of Gas

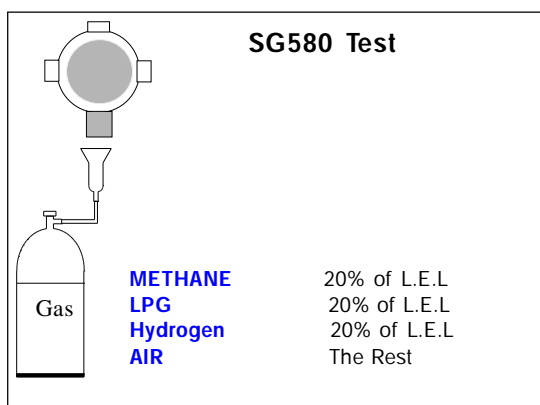


With gas it reads the % detected



The installation of the detector does not exempt from The compliance with all regulations concerning the characteristics, installation and use of gas appliances. The ventilation of the spaces and the elimination of combustion products are described in the UNI norms according to ART. 3 LAW 1083 / 71 and relevant legal provisions.

Gas input Test



The installation of the **SG580** probe, its ordinary and extraordinary maintenance, and its out of service removal at the end of the functional life guaranteed by the manufacturer, must be carried out by authorized or specialized personnel.

The general test should be performed by issuing gas from a pre-calibrated aerosol within the percentages illustrated on the side.

This test must be carried out at least once a year.

Maintenance problems and solutions before calling a technician

Attention: The settings described in this paragraph must be performed by qualified personal as such these settings are susceptible to compromise safety of detection.

IMPORTANT: Do not open the transmitter when energized.



If the device does not start up.

Check that the 12/24 Vdc power is present, and that positive and negative polarity has not been inverted.

If the Fault LED lights up.

If the fault signal reaches the control unit connected to the probe.

Check that the cables are connected according to the drawing, and that the wire isolation sheath has not been pinched.

Check.

Check the voltage at the terminals 2-3. It must be from a **minimum** of 0.8 Vdc to a **maximum** of 1.1 VDC.

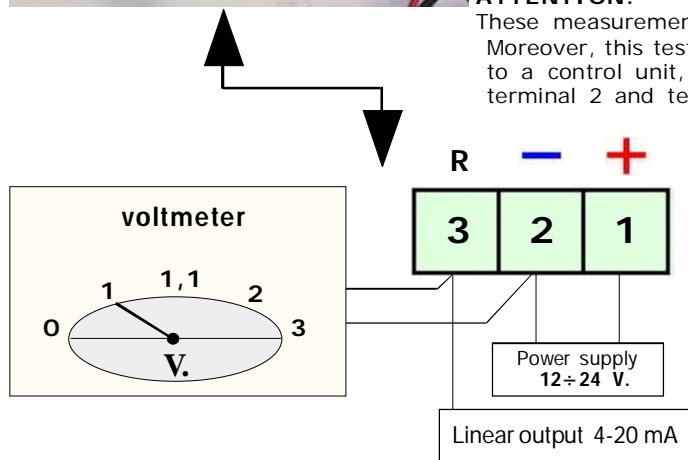
Check

That six years have elapsed from the installation date

ATTENTION.

These measurement should be performed in clean air.

Moreover, this test must be performed only with the probe connected to a control unit, or with a 220 Ohm resistance installed between terminal 2 and terminal 3..



If other problems arise, a specialised and/or authorised technician and/or the Distributor of **Beinat s.r.l.** should be contacted directly.

Troubleshooting before calling a technician

WARNING! Actions to be taken in case of alarm

- 1) Put out all free flames.
- 2) Close the main gas tap or the LPG cylinder tap.
- 3) Do not turn any lights on or off; do not turn on any electrical device or appliance.
- 4) Open windows and doors in order to increase ventilation.

If the alarm stops, its cause must be found and the relevant consequent measures taken.

If the alarm continues and the cause of gas presence cannot be found or removed, abandon the building and call the emergency services when outside (fire department, distributors, etc.)

IMPORTANT: The operation test should not be carried out with the gas tap as this does not guarantee a sufficient concentration



INSURANCE. This device is insured by the SOCIETÀ REALE MUTUA for the PRODUCT'S GENERAL LIABILITY up to a maximum of 1,500,000.00 EURO against damages caused by the device in case of failures in functioning.

WARRANTY. The warranty term is 3 years from manufacturing date, in agreement with the following conditions. The components acknowledged as faulty will be replaced free of charge, excluding the replacement of plastic or aluminium cases, bags, packing, batteries and technical reports.

The device must arrive free of shipment charges to **BEINAT S.r.l.**

Defects caused by unauthorized personnel tampering, incorrect installation and negligence resulting from phenomena outside normal functioning shall be excluded from the warranty.

BEINAT S.r.l. is not liable for possible damage, direct or indirect, to people, animals, or things; from product faults and from its enforced suspension of use.



DISPOSAL OF OLD ELECTRICAL & ELECTRONIC EQUIPMENT.

This symbol on the product or its packaging to indicates that this product shall not be treated as household waste. Instead, it shall be handed over to the applicable collection point for the recycling of electrical and electronic equipment, such as for example:

- sales points, in case you buy a new and similar product
- local collection points (waste collection center, local recycling center, etc...)

By ensuring this product is disposed of correctly, you will help prevent potential negative consequence for the environment and human health, which could otherwise be caused by inappropriate waste handing of this product. The recycling of materials will help to conserve natural resources. For more detailed information about recycling of this product, please contact your local city office, your household waste disposal service or the shop where you purchased the product.

Attention: In some countries of the European Union, the product is not included in the field of application of the National Law that applies the European Directive 2002/96/EC and therefore these countries have no obligation to carry out a separate collection at the "end of life" of the product.



Made in Italy

Sensor **SG580**

Lo styling è della b & b design

Stamp and signature of the dealer

Purchase date:

Serial Number :

The Beinat S.r.l. following the targhet to improve its products, reserves the right to modify the technical features, aesthetic and functional any time without prior notice.

BEINAT S.r.l.

Via Fatebenefratelli 122/C 10077, S. Maurizio C/se (TO) - ITALY

Tel. 011.921.04.84 - Fax 011.921.14.77

http:// www.beinat.com



Business - info@beinat.com

Help Desk - laboratorio@beinat.com