

Fire Prevention

These sensors mean the detection control unit can detect a fire by sensing the presence of smoke, white from paper or black from rubber, immediate or cumulative temperature, according to the selection. Installation is very easy with a bayonet system.



Smoke



Temperature

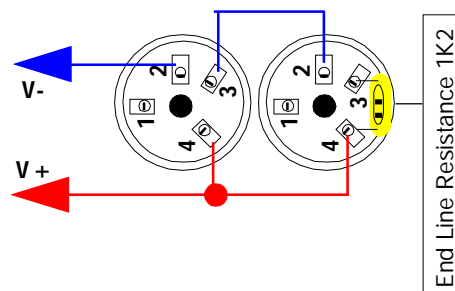


Socket

Fire Probes Technical Specifications

Power Supply	12/24V dc +/-10%
Power Demand when idle	9,77mA
Power Demand During Alarms	12,20mA
Protected area a 5 mt	110 mq
Protected area a 4 mt	120 mq
Protected area a 3 mt	130 mq
Installation Socket	ZF200
Installation Socket with Relay	ZF350
Working Humidity	0-90% non condensed
Degrre protection	IP20
Size	105x90x48 6 modules

- RF500** Optical Smoke Sensor
- RF570** 70 °C Fixed Temperature Sensor
- RF540** Temperature increase Sensor
- ZF300** Universal Socket
- ZF350** Universal Socket with relay



Important: Assembly / maintenance of the appliance must be carried out by qualified personnel and in accordance with applicable laws and regulations. The manufacturer assumes no responsibility for the use of products that have to comply with particular environmental and / or installation standards.

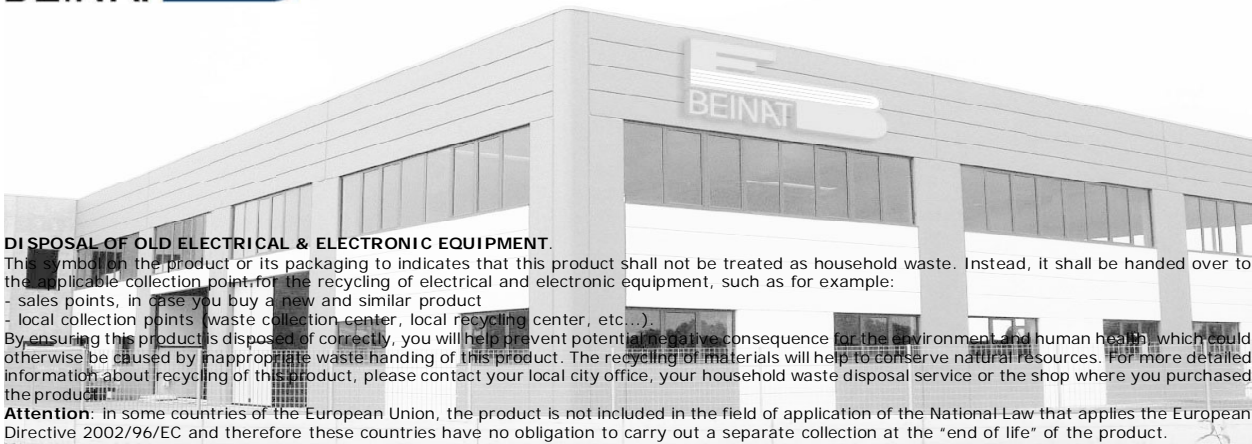
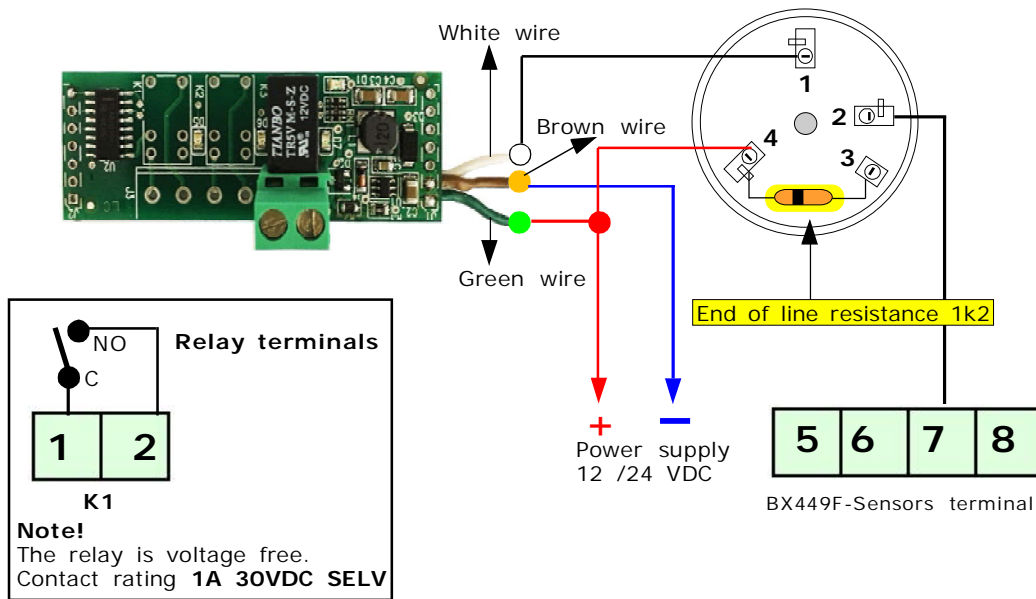
Installation and user guide

INSTALL IN SAFE AREA, NO ATEX

CONFORMITY

EN 54-2

Additional relay connection to a fire sensor CARD 01



DISPOSAL OF OLD ELECTRICAL & ELECTRONIC EQUIPMENT.

This symbol on the product or its packaging indicates that this product shall not be treated as household waste. Instead, it shall be handed over to the applicable collection point for the recycling of electrical and electronic equipment, such as for example:

- sales points, in case you buy a new and similar product
- local collection points (waste collection center, local recycling center, etc...).

By ensuring this product is disposed of correctly, you will help prevent potential negative consequence for the environment and human health, which could otherwise be caused by inappropriate waste handling of this product. The recycling of materials will help to conserve natural resources. For more detailed information about recycling of this product, please contact your local city office, your household waste disposal service or the shop where you purchased the product.

Attention: in some countries of the European Union, the product is not included in the field of application of the National Law that applies the European Directive 2002/96/EC and therefore these countries have no obligation to carry out a separate collection at the "end of life" of the product.



Made in Italy

BEINAT S.r.l.

Via Fatebenefratelli 122/C 10077, S. Maurizio C/se (TO) - ITALY

Tel. 011.921.04.84 - Fax 011.921.14.77

http:// www.beinat.com



Business - info@beinat.com
Help Desk - laboratorio@beinat.com