

Level and anti-flooding switch ILDA100

V.1



From the elegance and prestige that has always characterized the **BEINAT Srl**, and the concept of home fitness, comes the level switch **ILDA100**

The **ILDA100** level switch is an electronic device which, by means of the built-in relay, controls a pump or a valve while maintaining the amount of liquid present in a reservoir within certain thresholds chosen by the user.

Similarly serves for the prevention of flooding, by means of the built-in relay can control both a solenoid valve is a transfer pump.

There are two probes that determine the functioning of the control switch one for the common and an other for the maximum level.

On the front panel you can visually check through led's work status of the equipment connected to it is turned on or off..

The newness of this equipment is given by the flexibility of supply which can range from 230 VAC to both 12/24 VDC and alternating current.

The mounting bar OMEGA makes installation fast allowing the coaching inside, inside, in a single panel of all the instruments of command connected to a tank and structured in the same format of the level switch.



Important: Assembly / maintenance of the appliance must be carried out by qualified personnel and in accordance with applicable laws and regulations.
The manufacturer assumes no responsibility for the use of products that have to comply with particular environmental and / or installation standards.



Important note
Before connecting the equipment, it is recommended that you read the instruction manual carefully and keep it for future reference. It is also recommended to perform the electrical connections correctly as per enclosed drawings, observing the instructions and the Standards.
N.B. Refer to the documentation in all cases where the symbol is on the side



Useful information

CHECK the integrity of the unit after having removed it from the box. Check that the data written on the box correspond to the type of gas used. When doing the electrical connections, follow the drawing closely.

Any use of the detector for purposes other than the intended one is considered improper, and as a result of which **BEINAT S.r.l.** therefore disclaims any responsibility for possible damages caused to people, animals or objects.



TERMS and EXPECTATIONS: The installation of the **switch**, its ordinary and extraordinary maintenance, every six months, and its out of service removal at the end of the functional life guaranteed by the manufacturer, must be carried out by **authorized or specialized personnel**.

In order to achieve long and satisfactory use of your **switch**, use it by respecting the following precautions.

Do not drop it.

Heavy knocks or falls during transportation or installation can damage the appliance.

Avoid abrupt temperature fluctuations.

Sudden temperature variations can cause condensation and the detector could work poorly and could become very sensitive, and generate false alarms.

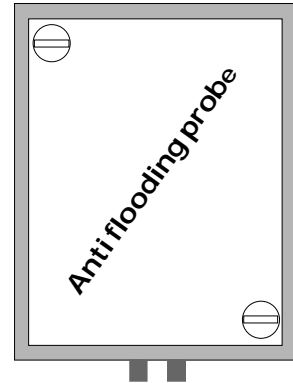
Do not allow it to become wet.

The control unit can be seriously damaged as it is not waterproof either when immersed in water or exposed to high levels of humidity.

Cleaning

Never clean the device with chemical products. If necessary, wash with a moist cloth.

Probes Adaptable for Functioning



ILDA100

SL200 Sliders 1 "1/4

SL600 Slider 1/8

SL150 Stem in stainless inox

PL150 Prolongs Stem in stainless inox

Technical Specifications

Power Supply **230/240 VAC ±10%**
 Power demand **1 W @230 VAC**
 Insulation Class II

Power Supply **12 VDC ±10%**
 Power demand **1 W @24 VDC**

Range of contacts **10A 250V resistive**
 Max distance between probe and control unit 100 m
 Section connecting cables probe 1 mm
 Connection: **The cable of connection of the probe must not be installed together with the power cables.**

Operating Temperature from -10° C to + 60° C
 Min and Max operating Humidity lower than 95% RH

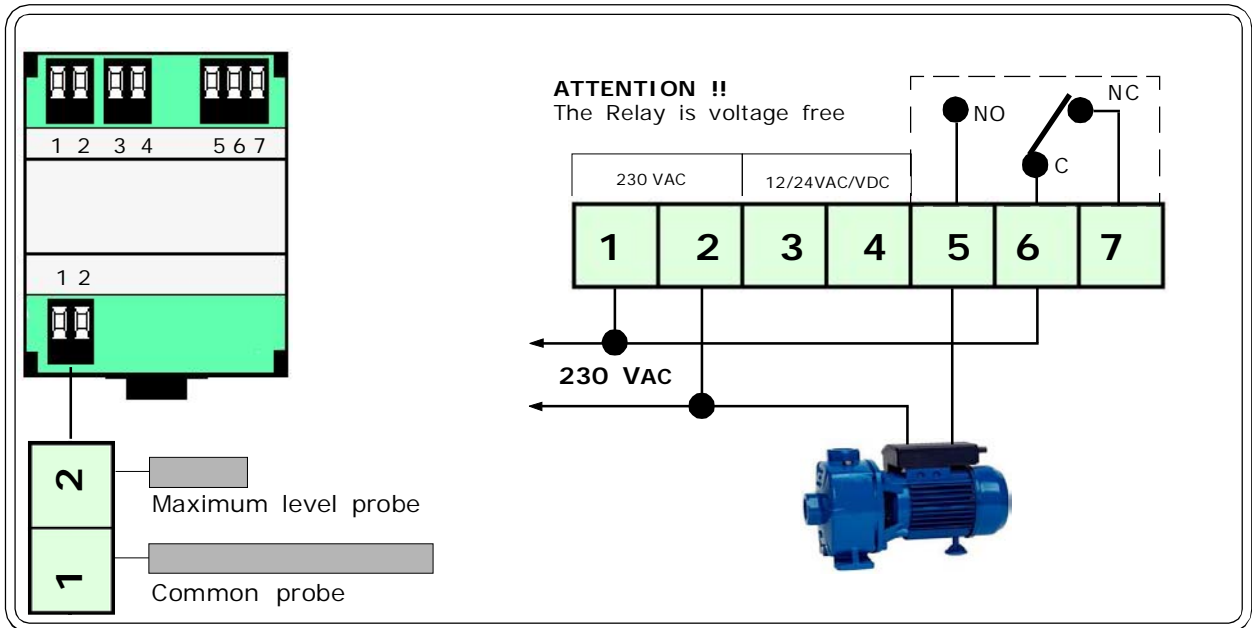
Body Material probe self extinguishing plastic
 Degree of protection **IP20** in the air
 Omega-type size DIN EN 50092 3 modules 52*90*52
 mounting: electric board
 Electromagnetic Compatibility "CE".....According to Reference EN regulations

Collegamenti elettrici

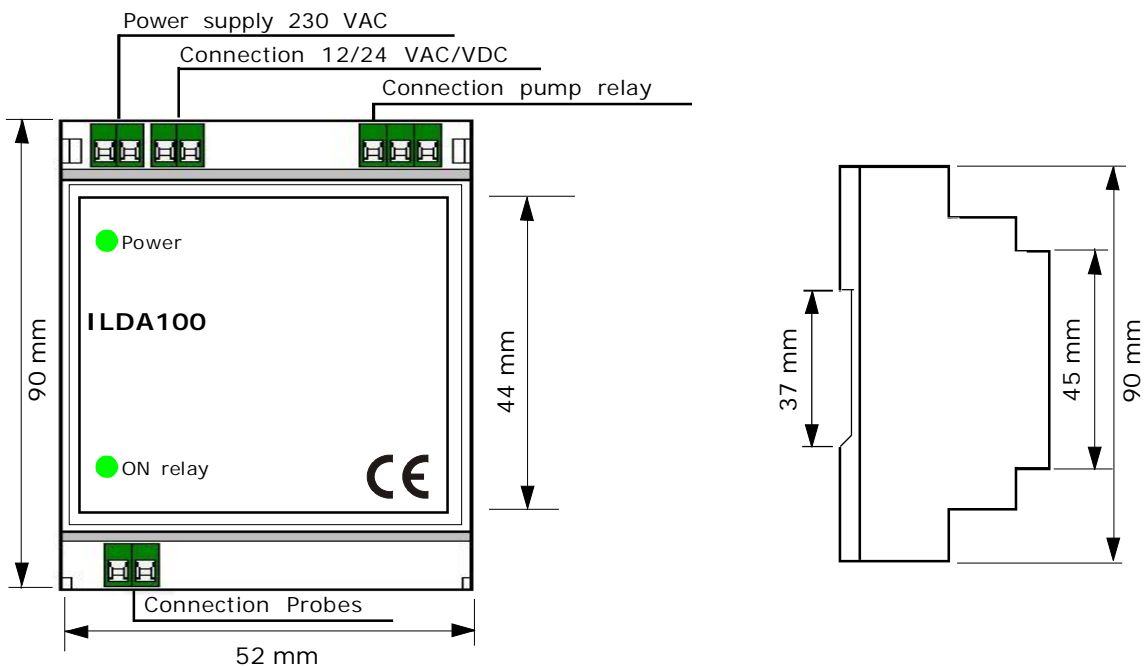


ATTENZIONE

Prima di effettuare il collegamento alla rete elettrica assicurarsi che la tensione sia quella richiesta. Seguire attentamente le istruzioni, e i collegamenti rispettando le Normative vigenti. Un interruttore automatico o sezionatore (opportuno identificato come dispositivo di sezionamento del rilevatore) deve essere incorporato nell'impianto elettrico, adeguatamente posizionato e facilmente raggiungibile.



Performance water	Probes reached	Position contacts
Increasing	None	In connection C and NA
Increasing	Common and Minimum	In connection C and Na
Decreased	Common and Minimum	In connection C and NA
Decreased	Common	In connection C and NC



INSURANCE. This device is insured by the SOCIETÀ REALE MUTUA for the PRODUCT'S GENERAL LIABILITY up to a maximum of 1,500,000.00 EURO against damages caused by the device in case of failures in functioning.

WARRANTY. The warranty term is 3 years from manufacturing date, in agreement with the following conditions. The components acknowledged as faulty will be replaced free of charge, excluding the replacement of plastic or aluminium cases, bags, packing, batteries and technical reports.

The device must arrive free of shipment charges to **BEINAT S.r.l.**

Defects caused by unauthorized personnel tampering, incorrect installation and negligence resulting from phenomena outside normal functioning shall be excluded from the warranty.

BEINAT S.r.l. is not liable for possible damage, direct or indirect, to people, animals, or things; from product faults and from its enforced suspension of use.



DISPOSAL OF OLD ELECTRICAL & ELECTRONIC EQUIPMENT.

This symbol on the product or its packaging indicates that this product shall not be treated as household waste. Instead, it shall be handed over to the applicable collection point for the recycling of electrical and electronic equipment, such as for example:

- sales points, in case you buy a new and similar product
- local collection points (waste collection center, local recycling center, etc.)

By ensuring this product is disposed of correctly, you will help prevent potential negative consequence for the environment and human health, which could otherwise be caused by inappropriate waste handling of this product. The recycling of materials will help to conserve natural resources. For more detailed information about recycling of this product, please contact your local city office, your household waste disposal service or the shop where you purchased the product.

Attention: in some countries of the European Union, the product is not included in the field of application of the National Law that applies the European Directive 2002/96/EC and therefore these countries have no obligation to carry out a separate collection at the "end of life" of the product.



Switch ILDA100 *Lo styling è della b & b design*

Stamp and signature of the dealer

Date of purchase:

Serial number:

Beinat S.r.l. following the purpose of improving its products, reserves the right to change the technical, aesthetic and functional characteristics at any time and without giving any notice.

BEINAT S.r.l.
Via Fatebenefratelli 122/C 10077, S. Maurizio C/se (TO) - ITALY
Tel. 011.921.04.84 - Fax 011.921.14.77
[http:// www.beinat.com](http://www.beinat.com)

