

## Maximum and minimum level switch ILD150

V.1



From the elegance and prestige that has always characterized the **BEINAT Srl**, and the concept of home fitness, comes the electronic level switch **ILD150**.

The level switch is an electronic device which, through the built-in relay, controls a pump or a valve while keeping the amount of liquid present in a reservoir within certain thresholds chosen by the user.

The detail that characterizes the functioning of the **ILD150** is to avoid the pumps start discontinuous due to movements of liquid in the tank.

There are three sensors that determine the operation of the remote control one for the common and the other two for the maximum and minimum level.

On the front panel you can visually check through led's work status of the equipment connected to it is turned on or off..

The newness of this equipment is given by the flexibility of supply which can range from **230 VAC** to both **12/24VDC and alternating current**.

The mounting bar OMEGA makes installation fast allowing the coaching inside, inside, in a single panel of all the instruments of command connected to a tank and structured in the same format of the level switch



**Important:** Assembly / maintenance of the appliance must be carried out by qualified personnel and in accordance with applicable laws and regulations.  
The manufacturer assumes no responsibility for the use of products that have to comply with particular environmental and / or installation standards.



**Important note**

Before connecting the equipment, it is recommended that you read the instruction manual carefully and keep it for future reference. It is also recommended to perform the electrical connections correctly as per enclosed drawings, observing the instructions and the Standards.  
**N.B. Refer to the documentation in all cases where the symbol is on the side**

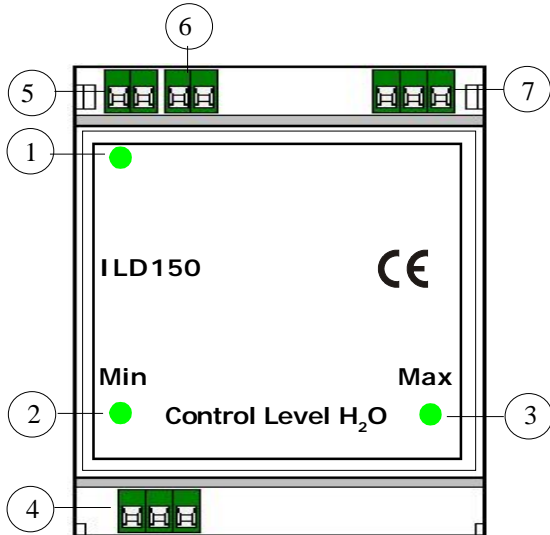


## Useful information

**CHECK** the integrity of the unit after having removed it from the box.  
 Check that the data written on the box correspond to the type of gas used.  
 When doing the electrical connections, follow the drawing closely.  
 Any use of the detector for purposes other than the intended one is considered improper, and as a result of which **BEINAT S.r.l.** therefore disclaims any responsibility for possible damages caused to people, animals or objects.  
 Never clean the device with chemical products. If necessary, wash with a moist cloth.



## Comandi



- 1) LED indicating device on, power on.
- 2) MINIMUM level LED. This LED lights up when the liquid no longer touches the minimum level electrode, corresponding to the moment the pump starts operating, and goes off when the liquid returns to touch the maximum electrode, stopping the pump
- 3) MAXIMUM level led. This LED lights up when the liquid no longer touches the maximum level electrode, corresponding to the moment the pump stops, and goes off when the liquid returns to touch the minimum electrode, reactivating the pump.
- 4) Terminal block, for connecting the probes
- 5) Terminal block, for 230VAC 50 Hz mains connection.
- 6) Terminal block, for 12V or 24V network connection both in alternating and direct current.
- 7) Terminal block, for connecting the pump or the equipment to be controlled.

## Probes Adaptable for Functioning



- SL200 Sliders 1 "1/4
- SL600 Slider 1/8
- SL150 Stem in stainless inox
- PL150 Prolongs Stem in stainless inox



## Technical Specifications

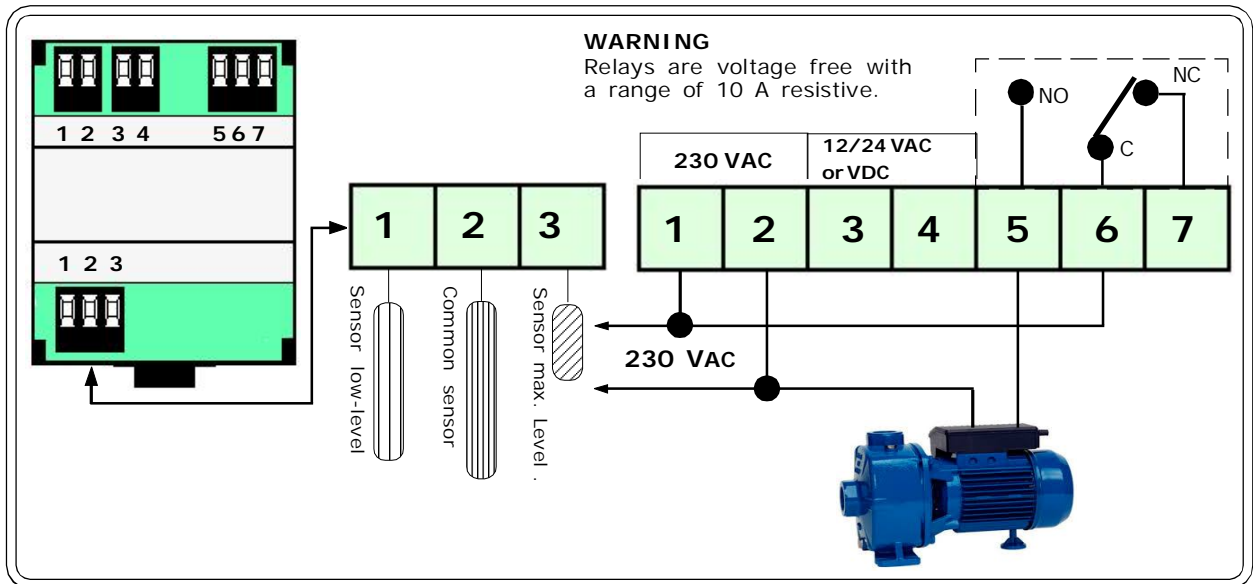
Power Supply .....	<b>230/240 VAC ±10%</b>
Power demand .....	<b>1 W @230 VAC</b>
Insulation .....	Class II <input type="checkbox"/>
Power Supply .....	<b>12 VDC ±10%</b>
Power demand .....	<b>1 W @24 VDC</b>
Range of contacts .....	<b>10A 250V resistive</b>
Max distance between probe and control unit .....	100 m
Section connecting cables probe .....	1 mm
Operating Temperature .....	from -10° C to + 60° C
Min and Max operating Humidity .....	lower than 95% RH
Body Material probe .....	self extinguishing plastic
Degree of protection .....	<b>IP20</b> in the air
Omega-type size DIN EN 50092 3 modules .....	52*90*52
mounting: .....	electric board
Electromagnetic Compatibility "CE".....	According to Reference EN regulations

## Electrical connections



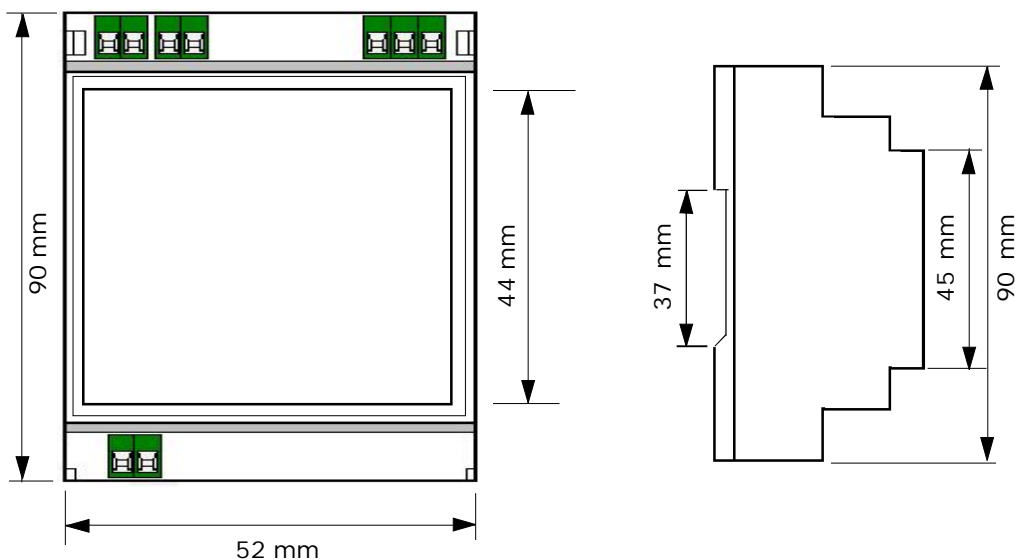
### WARNING

Before connecting to the mains power, ensure the voltage is correct. Carefully follow the instructions and the connections according to Regulations in force, keeping in mind that the signal cables should be laid separate from the power cables. An automatic cut-off switch (appropriately identified as device sectioning of the detector) should be incorporated in the electrical system, adequately located and easily accessible.



## Funzionamento secondo le sonde

Performance water	Probes reached	Position contacts
Increasing	None	In connection C and NA
Increasing	Common	In connection C and NC
Increasing	Common and Minimum	In connection C and NC
Increasing	Common Min and Max	In connection C and NA
Decreased	Common and Minimum	In connection C and NA
Decreased	Common	In connection C and NC



**INSURANCE.** This device is insured by the SOCIETÀ REALE MUTUA for the PRODUCT'S GENERAL LIABILITY up to a maximum of 1,500,000.00 EURO against damages caused by the device in case of failures in functioning.

**WARRANTY.** The warranty term is 3 years from manufacturing date, in agreement with the following conditions. The components acknowledged as faulty will be replaced free of charge, excluding the replacement of plastic or aluminium cases, bags, packing, batteries and technical reports.

The device must arrive free of shipment charges to **BEINAT S.r.l.**

Defects caused by unauthorized personnel tampering, incorrect installation and negligence resulting from phenomena outside normal functioning shall be excluded from the warranty.

**BEINAT S.r.l.** is not liable for possible damage, direct or indirect, to people, animals, or things; from product faults and from its enforced suspension of use.



**DISPOSAL OF OLD ELECTRICAL & ELECTRONIC EQUIPMENT.**

This symbol on the product or its packaging indicates that this product shall not be treated as household waste. Instead, it shall be handed over to the applicable collection point for the recycling of electrical and electronic equipment, such as for example:

- sales points, in case you buy a new and similar product
- local collection points (waste collection center, local recycling center, etc.)

By ensuring this product is disposed of correctly, you will help prevent potential negative consequence for the environment and human health, which could otherwise be caused by inappropriate waste handling of this product. The recycling of materials will help to conserve natural resources. For more detailed information about recycling of this product, please contact your local city office, your household waste disposal service or the shop where you purchased the product.

**Attention:** in some countries of the European Union, the product is not included in the field of application of the National Law that applies the European Directive 2002/96/EC and therefore these countries have no obligation to carry out a separate collection at the "end of life" of the product.



**Switch ILD150** *Lo styling è della b & b design*

Stamp and signature of the dealer

Date of purchase: .....

Serial number: .....

Beinat S.r.l. following the purpose of improving its products, reserves the right to change the technical, aesthetic and functional characteristics at any time and without giving any notice.

**BEINAT S.r.l.**  
Via Fatebenefratelli 122/C 10077, S. Maurizio C/se (TO) - ITALY  
Tel. 011.921.04.84 - Fax 011.921.14.77  
[http:// www.beinat.com](http://www.beinat.com)

